

# Discrete Temperature Sensor's



## FEATURES

The discrete range of temperature sensors are designed to be mounted into walls, ceilings and floors to offer discrete indoor temperature sensing.

The flush mounted sensor can be skimmed and painted over to match any wall colour making it perfect for any residential, commercial or public

building application where a discrete finish is required.

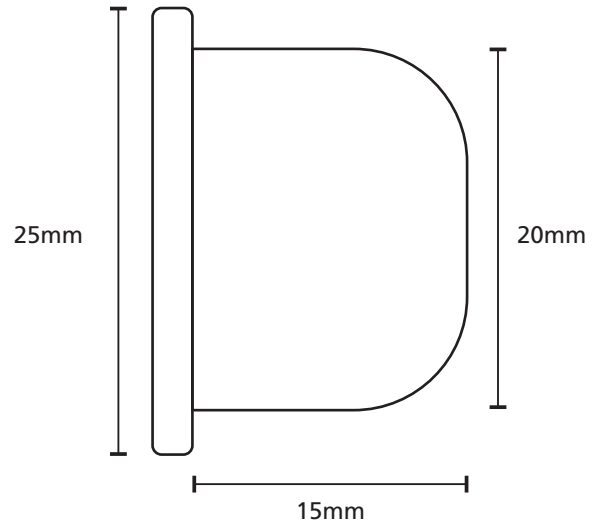
The sensor is also anti-ligature making it suitable for applications such as prisons and hospitals.

The discrete bead sensor is compatible with all the Hydro line Products range – Controllers & sensors (NTC10K @ 25deg.C).

## TECHNICAL DATA

Material Body	Low density polyethylene/stainless steel/moulded plastic
Sensing Elements	NTC10K @ 25 deg. C
Accuracy	+/- 0.2% @ 70` C thermistor
Operating Temperature	-10 to + 70`C
Location	Wall mounted Dimensions (mm): See overleaf
Country of origin	UK
Product Codes	HL-DS-FM-5M-10 - Flush Mount Sensor HL-SWS-3M-10 - Supply Water Sensor HL-BS-3M-10 - Bead Sensor HL-FS-3M-10 - Floor Sensor

PLEASE ENSURE THAT ALL WIRING IS CARRIED OUT IN ACCORDANCE WITH CURRENT IEE ELECTRICAL WIRING REGULATIONS



## DESCRIPTION

### Hydro line Floor & Discrete Sensors

- 10K Ohm NTC at 25 deg. C
- 5 Mtr Flying Lead
- **NOTE:** The Floor sensor probe will require mechanical protection and should be fitted within its own metal conduit. As shown below.

## INSTALLATION OF FLOOR SENSOR PROBE



### TYPICAL FLOOR PROBE INSTALLATION

